

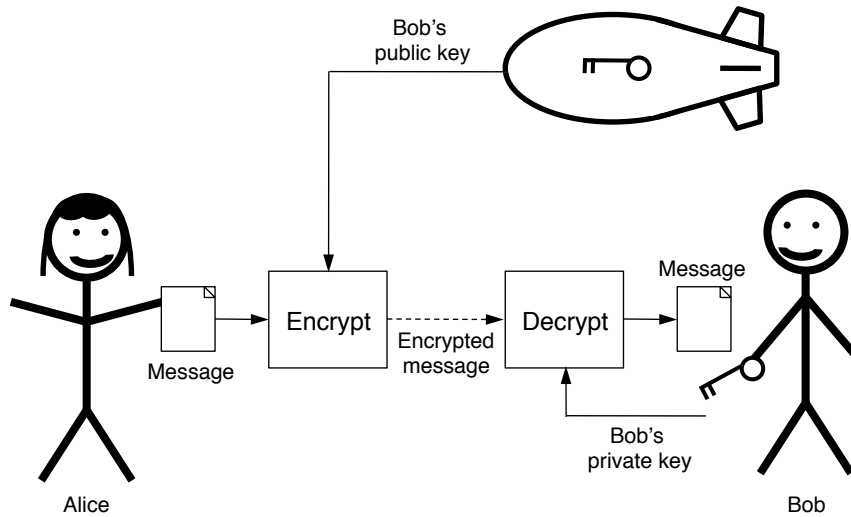
Errata for *Spyware and Adware*

John Aycock

25 October 2010

A few things unfortunately vanished when *Spyware and Adware* was printed:

1. The preface mentions circles in the margins that indicate endnotes; these quietly disappeared.
2. Figure 2.3 (page 12) is missing a line for the encrypted message. It should look like this:



3. Figure 3.5 (page 36) is missing a line to the rootkit code. It should look like this:

